



**DESCRIPTION**

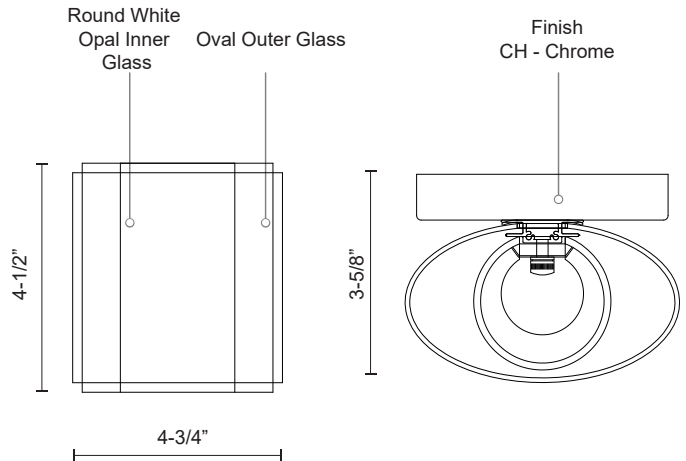
Single lamp vanity with round white opal inner glass and oval outer clear glass. Metal back plate in chrome finish.

**SPECIFICATION DETAILS**

<b>Fixture Dimensions</b>	W4-3/4" x H4-1/2" x E3-5/8"
<b>Lamp Type</b>	Halogen, G9
<b>Wattage</b>	1 x 50W
<b>Voltage</b>	120V
<b>Shade Details</b>	Clear Glass Shade
<b>Glass Details</b>	Opal Glass
<b>ADA Compliant</b>	Yes
<b>Location</b>	Damp
<b>Bulbs Included</b>	No
<b>Canopy Dimensions</b>	W4-3/4" x H4-3/4" x E3/4"
<b>Finish Option(s)</b>	Chrome

\* For custom options, consult factory for details.

\* For warranty information, please visit [www.kuzcolighting.com/warranty](http://www.kuzcolighting.com/warranty)



KUZCO

CANADA: 19054 28TH AVENUE - SURREY, BC V3Z 6M3  
USA: 3035 E. LONE MOUNTAIN ROAD - LAS VEGAS, NV 89081

[WWW.KUZCOLIGHTING.COM](http://WWW.KUZCOLIGHTING.COM)

© 2010 KUZCO LIGHTING. ALL RIGHTS RESERVED.

**COMMENT**

